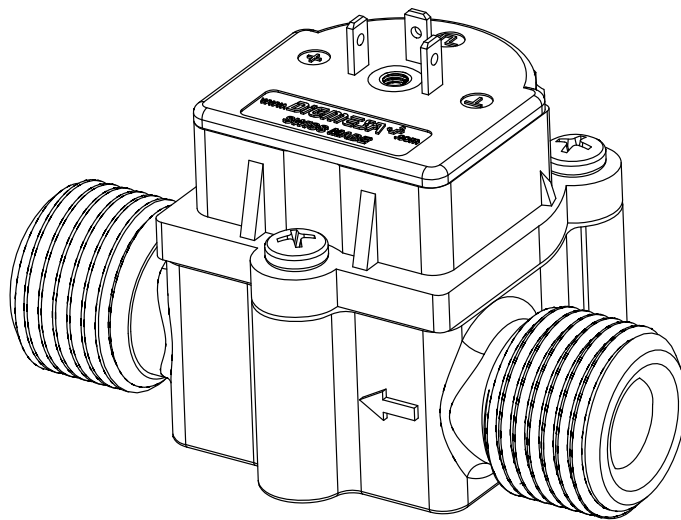


DATA SHEET



DIGIMESA[®]
CHOOSE THE ORIGINAL

FHKU 100 G1/2" Arnite High Flow
Part number: 938-6500/K34x

Digimesa AG, Keltenstrasse 31, CH-2563 Ipsach / Switzerland
Phone +41 (32) 332 77 77, Fax +41 (32) 332 77 88

www.digimesa.com

Version 05 FHKU 100 G1/2" High Flow #938-6500/K34x GB Page 1-4

General Description

The FHKU Flowmeter is a general-purpose device; specially for higher throughputs of up to approx. 29 l/min. It is employed for measuring, regulating or metering and guarantees most precise measurement of fluid quantities. In addition, a pulse generator integrated into the flowmeter guarantees a practically unlimited useful life.

Specific applications: Linear inlet and outlet, compact design, great working range, depending on the nozzle diameter. High precision, robust storage, suitably for continuous operation.

Approvals / Standards

EN55014-1:00+A1:01+A2:02, EN61000-6-3:01+A11:04, IEC61000-6-3:06(ed.2.0), EN61000-3-2:06, IEC61000-3-2:05(ed.3.0), EN61000-3-3:95+A1:01+A2:05, IEC61000-3-3:94+A1:01+A2:05(Cons.ed 1.2), EN55014-2:97+A1:01, EN61000-6-1:01, IEC61000-6-1:05(ed.2)



Material:

| | |
|--------------|--|
| Housing: | PBT 35%GF |
| Bearing pin: | Ceramic |
| Nozzle: | Ø 10.0mm |
| O-ring: | MVQ (Silikon) FPM (Viton) / EPDM on request |
| Turbine: | PVDF |
| Magnets: | 2 or 4 magnets (not in contact with the medium) |
| Screws: | PT-screws (Phillips cross recessed) |

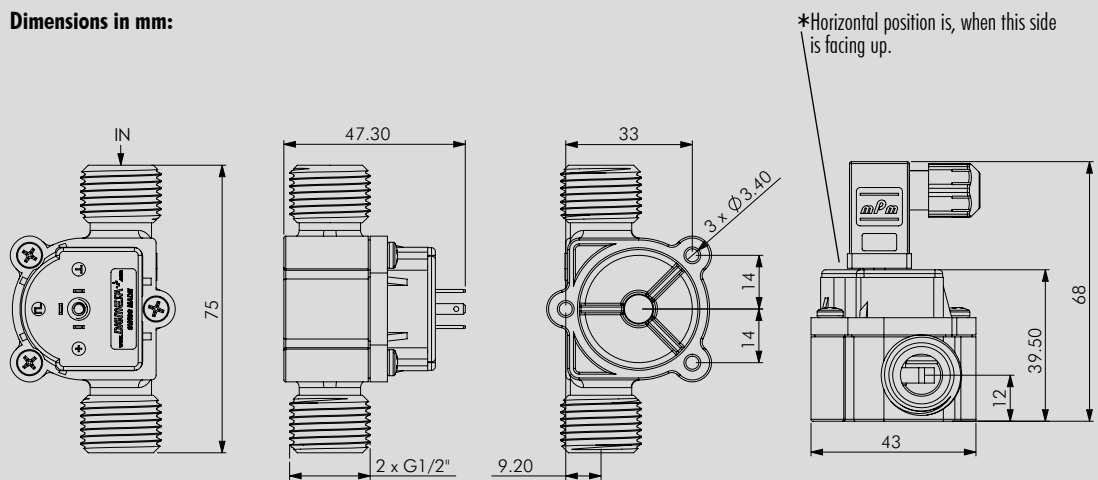
Technical data:

| | |
|---------------------|---------------------------------|
| Flow rate: | from 3.0 l/min |
| Speed: | Turbine max. 1900 rpm |
| Measuring accuracy: | +/- 2.0% |
| Repetition: | < +/- 0.25% |
| Temperature range: | -10°C to +65°C 14°F to 149°F |
| Pressure range: | 20 bar at 20°C 290 psi /68°F |
| Mounting position: | Horizontal * |
| Nozzle size: | Ø 10.0 mm |

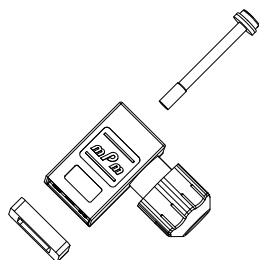
Electrical connection ratings:

| | |
|--------------------|----------------------------------|
| Power supply: | +3.8 to +24 VDC |
| Consumption: | <8 mA |
| Signal connection: | Open collector NPN |
| Signal voltage: | 0 VDC GND (saturation <0.7 V) |
| Signal load: | max. 20 mA |
| Leakage current: | max. 10 µA |
| Connections: | 3Pin- AMP 2.8 x 0.8 mm |
| Signal: | Square-wave output |
| Duty Cycle: | ~50% |

Dimensions in mm:



Options: 3-pin valve connector
Item number: 941-0010/3



We reserve the right to make modifications in the interests of technical progress.

RESISTANCE

Special regulations which must be complied with by the flowmeter manufacturer apply to each country, e.g. CE, NSF, FDA and SK. The various media flowing through the flowmeter differ from application to application. You are advised to enquire with the medium manufacturer as to whether the entire installation and the flowmeter are resistant to the medium itself (see Material)!

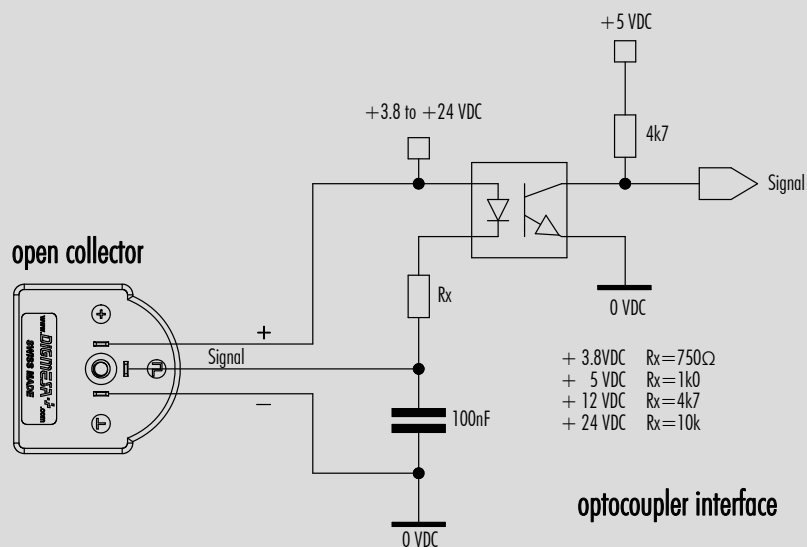
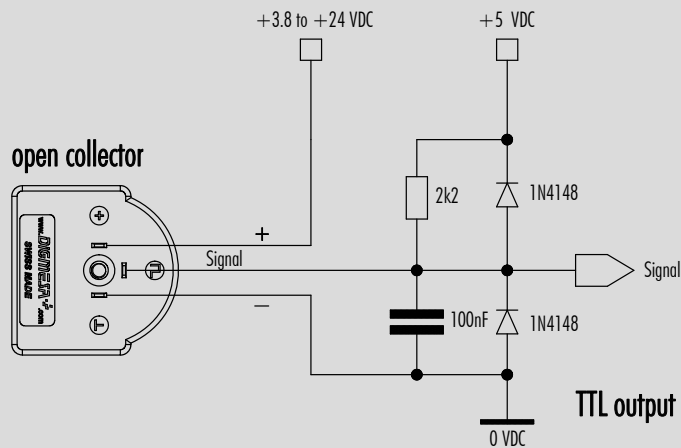
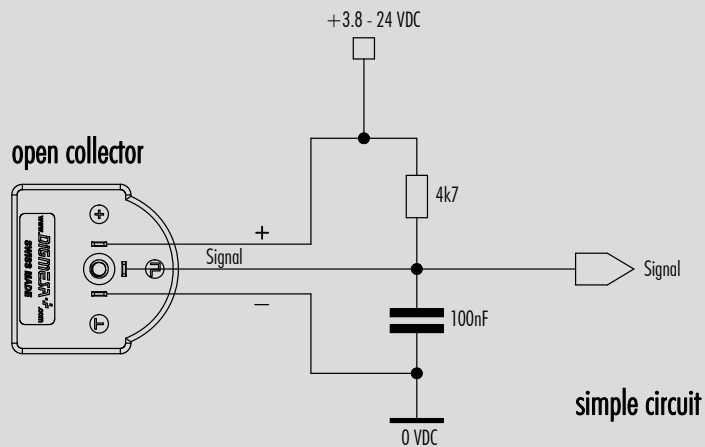
ELECTRONIC

DIGMESA electronic circuitry is always designed for operation with DIGMESA flowmeters. Please note the following if connecting to other electronic circuitry:

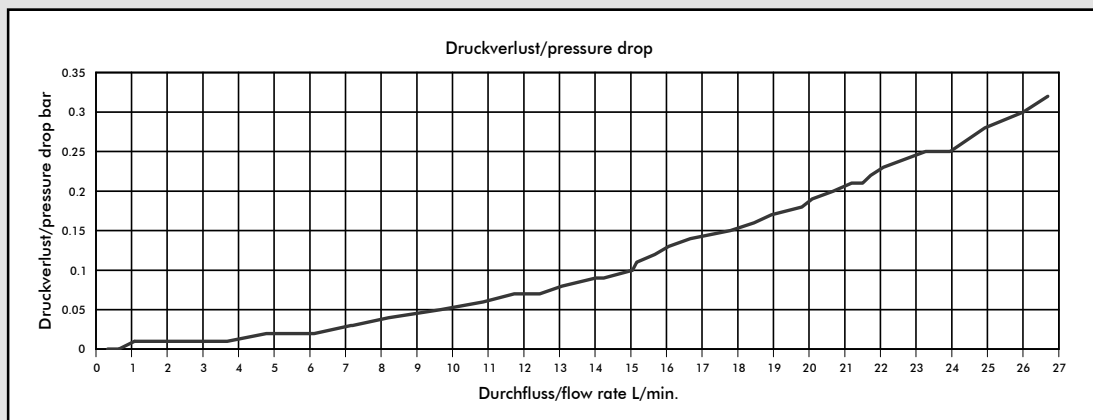
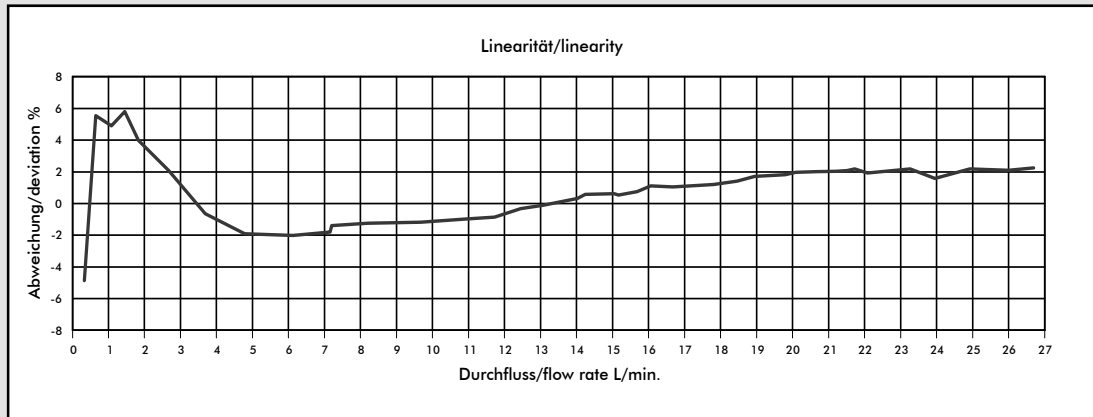
- The flowmeter does not supply an output voltage but switches the signal terminal to 0 V ground (actuated) or leaves it open (non-actuated)
- There must be a pull-up resistor between power supply + and signal depending on electronic circuitry!

Version 05 FHKU 100 G1/2" High Flow #938-6500/K34x GB Page 2-4

Interface Connection: Examples Open Collector



Measurement Curve FHKU Ø10.00mm G1/2" High Flow



Medium: Water / max. Pressure: 3.3 bar

| Number of magnets | Nozzle size | Pulses/Litres | Gramm/Puls | Recommended min. flow rate at [l/min] | Flow rate at 1900 rpm [l/min] |
|-------------------|-------------|---------------|------------|---------------------------------------|-------------------------------|
| 2 | Ø 10.00 mm | 65 | 15.37 | 3.00 | 29.23 |
| 4 | Ø 10.00 mm | 130 | 7.68 | 3.00 | 29.23 |

Part number:

Nozzle Ø 10.0mm with 2 Magnets: #938-6500/K342

Nozzle Ø 10.0mm with 4 Magnets: #938-6500/K344

The values specified must be considered as approximate values.

The number of pulses per litre may differ depending on medium and installation.

We recommend to calibrate the number of pulses per litre in line with the complete installation.

MEASUREMENT TIPS

- Ensure that there is no fast-pulsatory movement of the media
- Ensure that there are no reverse pressure surges
- Ensure that there is no air in the system
- Keep the pressure loss as small as possible
- Note the mounting position of the flowmeter
- Min/max flow should be in the linear range of the selected flowmeter
- Clean the system at appropriate intervals
- Avoid electrical current peaks
- Incorrect cabling of power supply +, signal and ground will destroy the flowmeter
- Do not mechanically load electrical contacts
- Avoid moisture on the electrical contacts
- Avoid stray pick-up via the cable (Do not lay cables in parallel with high current loads)