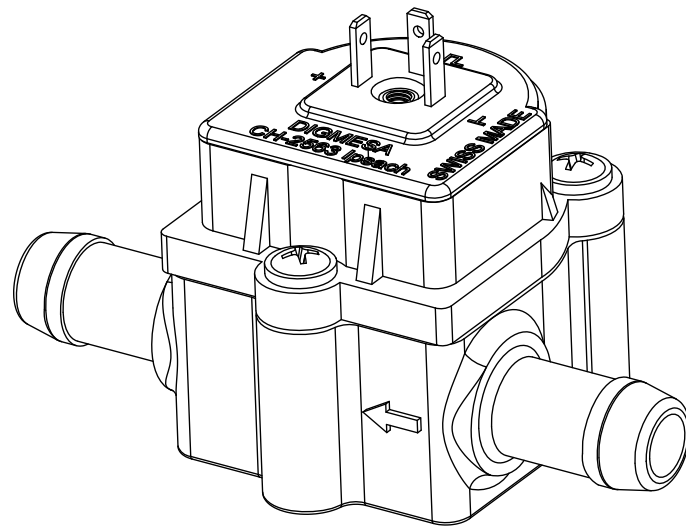


DATA SHEET



DIGIMESA[®]
CHOOSE THE ORIGINAL

FHKU hose nipple
Part number: 938-3570-01

Digimesa AG, Keltenstrasse 31, CH-2563 Ipsach / Switzerland
Phone +41 (32) 332 77 77, Fax +41 (32) 332 77 88

www.digimesa.com

Version 03 FHKU Schlauchnippel 012/011 #938-3570-01 GB Page 1-4

General Description

The FHKU Flowmeter is a general-purpose device. It is employed for measuring, regulating or metering and guarantees most precise measurement of fluid quantities. In addition, a pulse generator integrated into the flowmeter guarantees a practically unlimited useful life.

Specific applications: Linear inlet and outlet, compact design.

Approvals / Standards

EN55014-1:00+A1:01+A2:02, EN61000-6-3:01+A11:04, IEC61000-6-3:06(ed.2.0), EN61000-3-2:06, IEC61000-3-2:05(ed.3.0), EN61000-3-3:95+A1:01+A2:05, IEC61000-3-3:94+A1:01+A2:05(Cons.ed 1.2), EN55014-2:97+A1:01, EN61000-6-1:01, IEC61000-6-1:05(ed.2)



Material:

| | |
|--------------|---|
| Housing: | PBT 35%GF |
| Bearing pin: | Inox 1.4305 |
| Nozzle: | Ø 7.0mm PBT 35%GF |
| O-ring: | MVQ (Silikon) FPM (Viton) / EPDM on request |
| Turbine: | PVDF 2 Magnets |
| Magnete: | Ceramic Sr Fe O (in contact with the medium) |
| Screws: | PT-screws (Phillips cross recessed) |

Technical data:

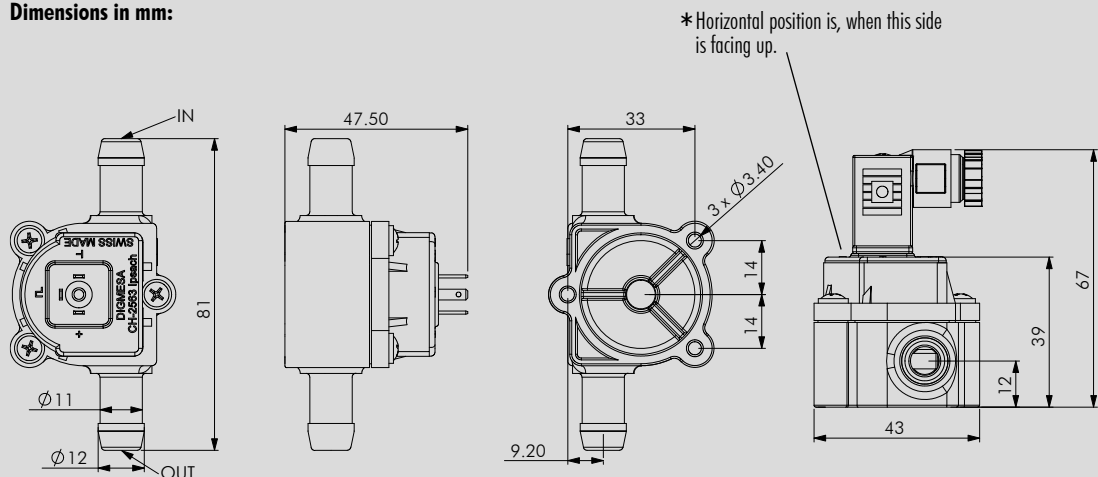
| | |
|-----------------------|---------------------------------|
| Flow rate: | 1.4 - 25 l/min |
| Continuous operation: | < 500 rpm of the turbine |
| Measuring accuracy: | +/- 2.0% * |
| Repetition: | < +/- 0.25% |
| Temperature range: | -10°C to +65°C 14°F to 149°F |
| Pressure range: | 20 bar at 20°C 290 psi /68°F |
| Mounting position: | Horizontal * |
| Nozzle size: | Ø 7.0 mm |

Electrical connection ratings:

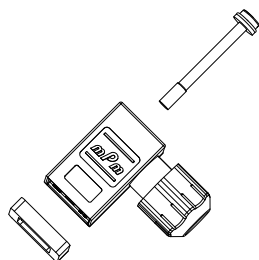
| | |
|--------------------|-----------------------------------|
| Power supply: | + 3.8 to + 24 VDC |
| Consumption: | < 8 mA |
| Signal connection: | Open collector NPN |
| Signal voltage: | 0 VDC GND (saturation < 0.7 V) |
| Signal load: | max. 20 mA |
| Leakage current: | max. 10 µA |
| Connections: | 3-pin AMP 2.8 x 0.8 mm |
| Signal: | Square-wave output |
| Duty Cycle: | ~ 50% |

* Accuracy in the linear range for individually calibrated equipment

Dimensions in mm:



Options: 3-pin valve connector
Item number: 941-0010-3



We reserve the right to make modifications in the interests of technical progress.

RESISTANCE

Special regulations which must be complied with by the flowmeter manufacturer apply to each country, e.g. CE, NSF, FDA and SK. The various media flowing through the flowmeter differ from application to application. You are advised to enquire with the medium manufacturer as to whether the entire installation and the flowmeter are resistant to the medium itself (see Material)!

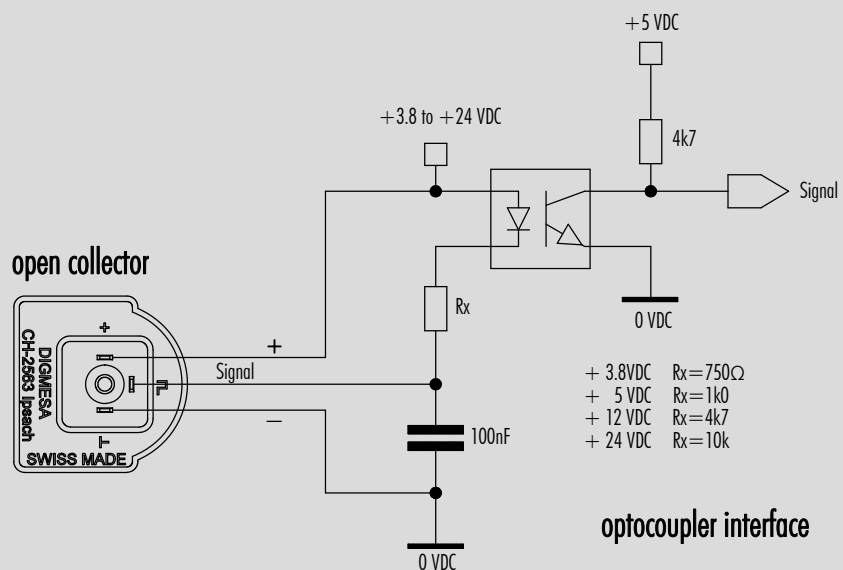
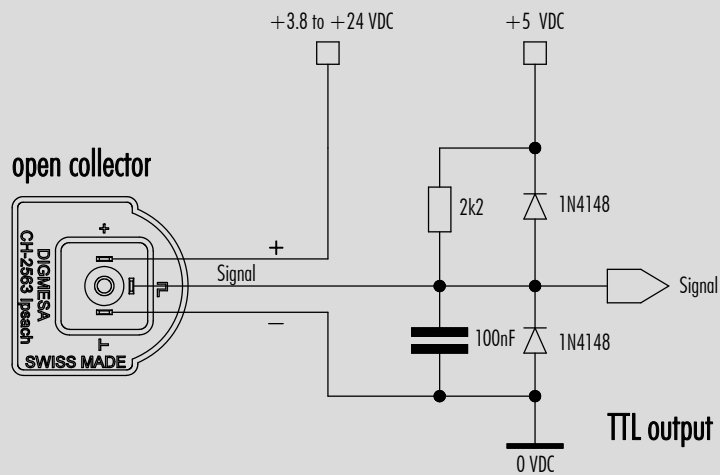
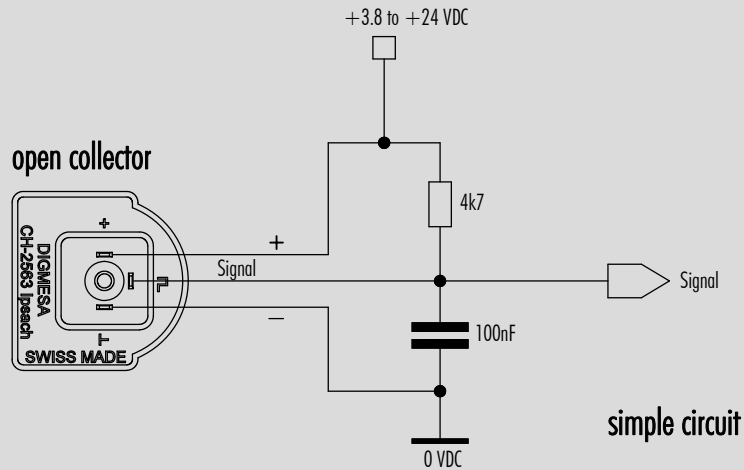
ELECTRONIC

DIGMESA electronic circuitry is always designed for operation with DIGMESA flowmeters. Please note the following if connecting to other electronic circuitry:

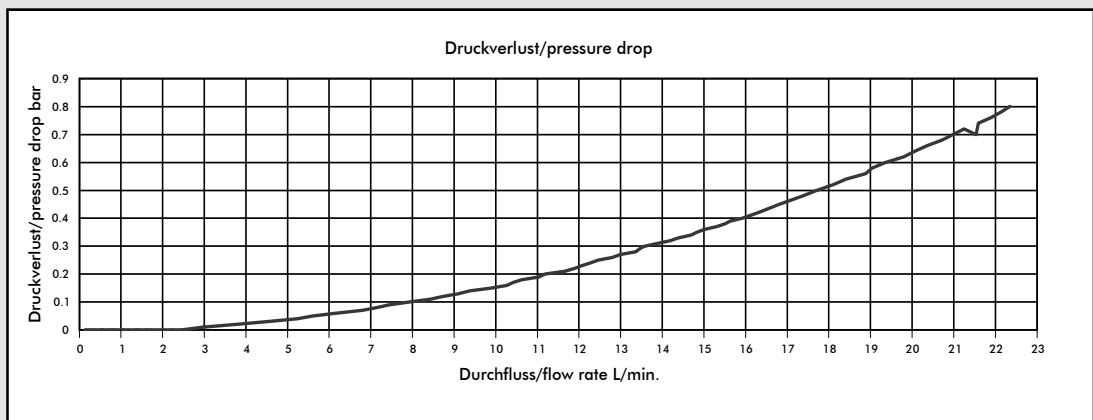
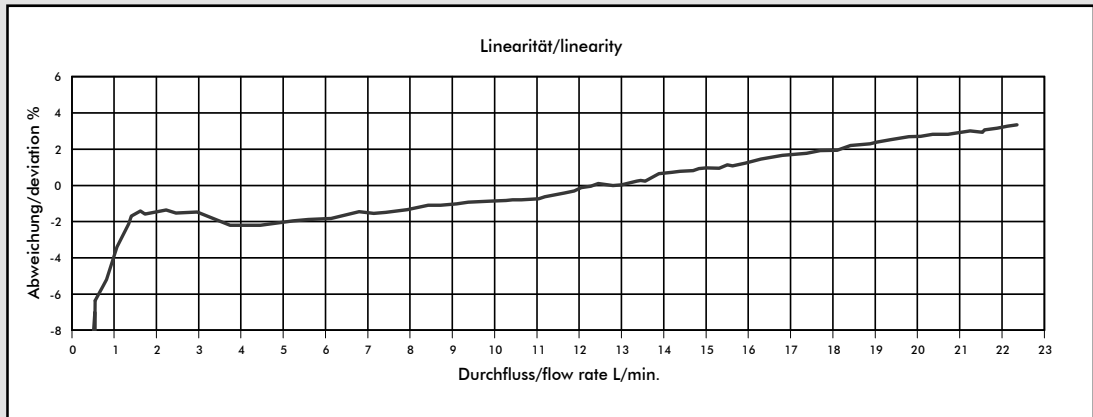
- The flowmeter does not supply an output voltage but switches the signal terminal to 0 V ground (actuated) or leaves it open (non-actuated)
- There must be a pull-up resistor between power supply + and signal depending on electronic circuitry!

Version 03 FHKU Schlauchnippel Ø12/Ø11 #938-3570-01 GB Page 2-4

Interface Connection: Examples Open Collector



Measurement Curve FHKU Hose connection 7.00 mm



Getestet mit Wasser, max. Druck: 3.3 bar / Tested with water, max. pressure 3.3 bar

| Nozzle size | Pulses/litre | g/pulse | min. flow rate in [litres/min] at linear start | max. flow rate in [litres/min] | Pressure loss in [bar] |
|-------------|--------------|---------|--|--------------------------------|------------------------|
| Ø 7.00 mm | 165 | 6.06 | 1.40 | 18.0 | 0.54 |

MEASUREMENT TIPS

- Ensure that there is no fast-pulsatory movement of the media
- Ensure that there are no reverse pressure surges
- Ensure that there is no air in the system
- Keep the pressure loss as small as possible
- Note the mounting position of the flowmeter
- Min/max flow should be in the linear range of the selected flowmeter
- Clean the system at appropriate intervals
- Avoid electrical current peaks
- Incorrect cabling of power supply +, signal and ground will destroy the flowmeter
- Do not mechanically load electrical contacts
- Avoid moisture on the electrical contacts
- Avoid stray pick-up via the cable (Do not lay cables in parallel with high current loads)

The values specified must be considered as approximate values.

The number of pulses per litre may differ depending on medium and installation.

We recommend to calibrate the number of pulses per litre in line with the complete installation.